

VTX

French manufacturing



- Easy maintenance: quick removal and easy cleaning of the cartridge
- Minimum space requirement
- High reliability: no moving parts
- No consumables
- Good corrosion resistance
- Good impact resistance



FILTER OPERATION

- Separation of water from fuel by centrifugation for the optimization of the coalescence phenomenon
- Final filtration of solid particles on the metal cartridge



NAUTICAL



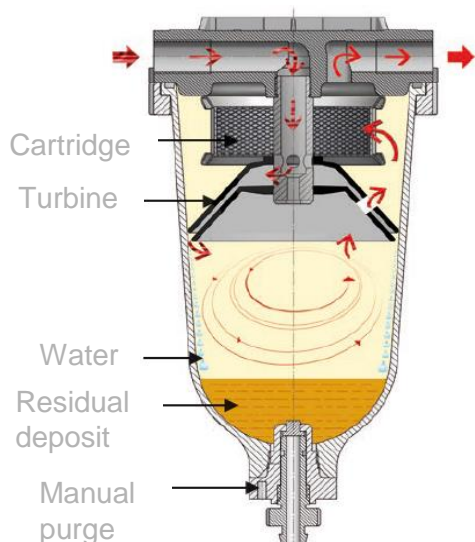
AUTOMOBILE



AGRICULTURE



SKID



Operating conditions

Filtration threshold
100, 300 and 500µm

Max. flow rate
500 l/hr

Temperature
-15 to 50°C

Pressure loss
15 mbar

CONFIGURATION

In and Output M14x1,5

Nitrile **gasket** (VITON option)

Aluminum alloy **cover**

Stainless steel **cartridge**

Polypropylene **turbine**

Transparent Trogamid **bowl**



Scamfiltres
by pemflow

Let's keep in touch

382, rue de Bondues
Parc d'Activités du Moulin, Zone B
59118 WAMBRECHIES,
FRANCE

adv@pemflow.com

+33 3 20 66 27 07

