

# SCAMJYR

French manufacturing

- Ability to filter the most diverse products
- Continuous self-cleaning system without interruption of the flow to be filtered
- Reduced maintenance and operating costs
- Low pressure losses
- Standard and made-to-measure range



**WATER TREATMENT**



**AUTOMOBILE**



**FOOD**



**FINE CHEMISTRY**



**METAL FINISHING**

## MATERIALS

### Filter housing

Stainless steel 316L, Carbon steel, Cast iron, Duplex, Super Duplex, FRP

### Filter element

Stainless steel 316L, Duplex, Super Duplex

### Cleaning system

PolyAmide, Stainless steel 304L, Polypropylene

\* Non-exhaustive list - Other materials on request

## STANDARD TERMS OF SERVICE\*

### Min. filtration threshold

50µm

### Max. flow rate

600 m3/h

### Max. temperature

90°C

### Max. recommended pressure

From 2 to 10 bars

\* If your process conditions exceed these limits, we will study your specific needs and provide you with a tailor-made study.

## EQUIPMENT (Standard or ATEX)

### Control box

Standard or Special on request

### Purge valve

Pneumatic or Electric

### Differential pressure gauge

With or without separator

### Various equipments on request

Isolation valve, heat insulation, temperature measurement, etc...



# FILTER OPERATION



- Your fluids will be filtered by our filtering element called "strainer" with a V-shaped profile, specifically designed to reduce the risk of unwanted clogging.
- Continuously, this strainer is brushed or scraped by our helical cleaning system allowing the evacuation of contaminants to the bottom of the filter.
- The evacuation of the contaminants is carried out by means of an automatic purging system managed by our control panel.
- This control box triggers these purges via a timer and a Delta P control (differential pressure gauge).



Flow Chart Of range SCAMJYR FITO STANDARD (m<sup>3</sup>/h)\*

Thres- hold (µm)	Filter model (strainer diameter X strainer height)								
	JYR 100	JYR 200		JYR 250				JYR 300	
	330	440	550	550	660	770	880	990	990
50	23.1	60.66	74.07	89.63	107.92	125.64	144.3	162.21	194.52
100	44.03	115.84	141.45	171.12	206.02	239.85	275.47	309.66	371.25
150	61.5	166.15	202.88	245.17	295.18	343.65	392.46	392.46	532.8
200	61.5	212.2	228.98	313.47	377.42	392.46	392.46	392.46	604.7
250	61.5	228.98	228.98	376.26	392.46	392.46	392.46	392.46	604.7
500	61.5	228.98	228.98	392.46	392.46	392.46	392.46	392.46	604.7
800	61.5	228.98	228.98	392.46	392.46	392.46	392.46	392.46	604.7
1000	61.5	228.98	228.98	392.46	392.46	392.46	392.46	392.46	604.7

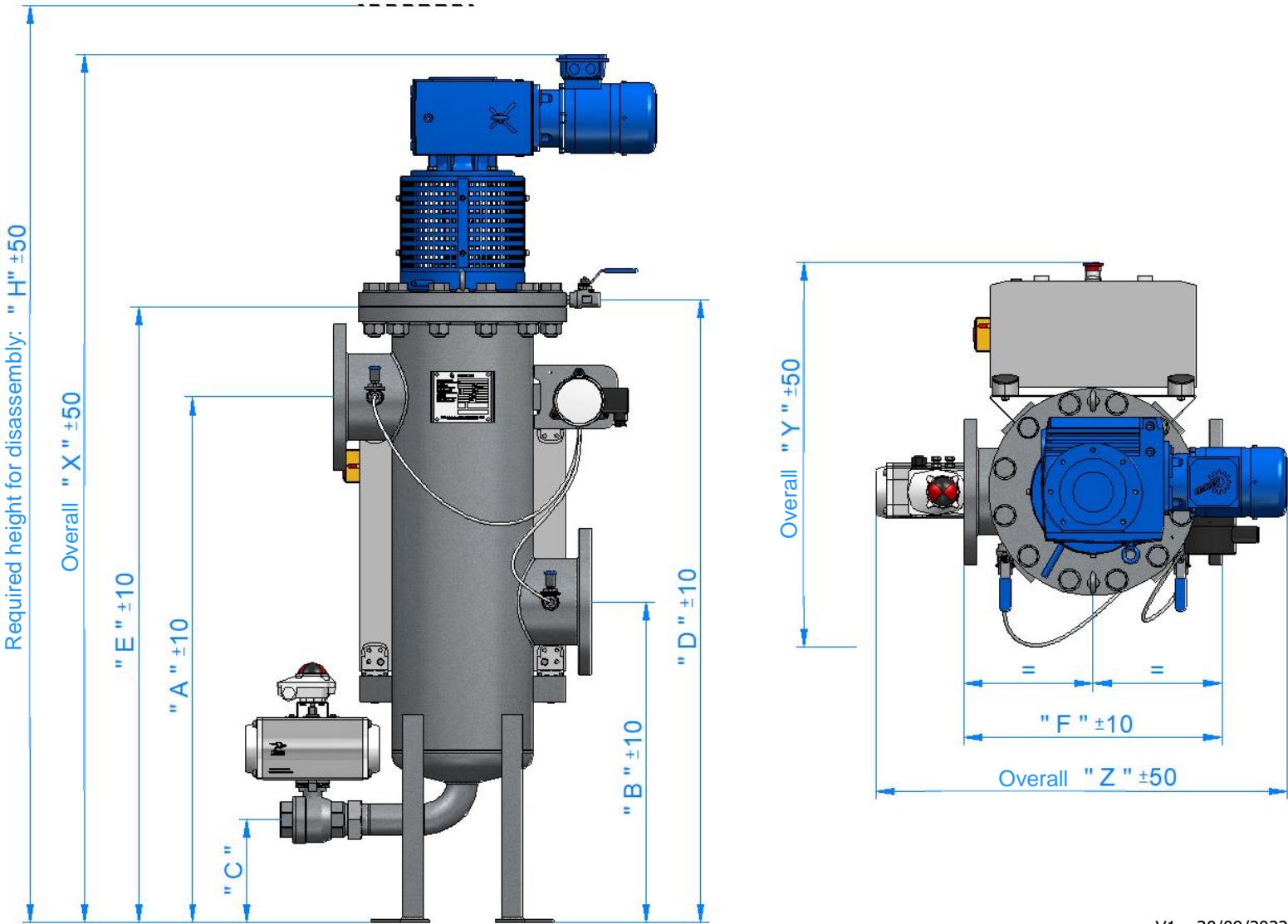
**CAUTION !** Abacuses are valid on :  
 - Viscosity of 30cSt maximum  
 - Contaminants concentration of maximum 30PPM

\* All other conditions, please contact us.

"Plan Table" of dimensions (in mm)

# STANDARD RANGE

JYR	A	B	C	D	E	F	H	X	Y	Z
100 330	775	425	150	913	900	450	1350	1300	350	670
200 440	1025	625	200	1215	1200	500	1950	1700	800	800
200 550	1125	625	200	1315	1300	500	2150	1800	800	800
250 550	1200	650	200	1415	1400	600	2250	1900	850	850
250 660	1300	650	200	1515	1500	600	2450	2000	850	850
250 770	1400	650	200	1615	1600	600	2650	2100	850	850
250 880	1550	650	200	1765	1750	600	3000	2250	850	850
250 990	1650	650	200	1865	1850	600	3150	2350	850	850
300 990	1750	750	200	2065	2050	700	3350	2550	900	900



V1 – 30/09/2022



**Scamfiltres**  
by pemflow

**Let's keep in touch**

SCAM FILTRES  
382, rue de Bondues  
Parc d'Activités du Moulin, Zone B  
59118 WAMBRECHIES

[adv@pemflow.com](mailto:adv@pemflow.com)

+33 3 20 66 27 07

