

# MULTI-BAG FILTER VESSEL

## PO31 KXS SERIES



### MULTI-BAG FILTER VESSEL

- ▶ To be fitted with 4, 6, 8, 10 or 12 standard bags - Size 20

### GEOMETRY OF THE BAG

- ▶ Standard U bag
- ▶ W bag: 45% more surface area to filter higher flow rates or extend the lifespan of the bag
- ▶ Wide selection of felt, Monofilament or HP felt bags with O-ring or molded "AMP" ring (sheet FTQ/1PO/01E/A pages 22-26)

### DESCRIPTION

- ▶ Quick opening with swing bolts
- ▶ Cover lifted with davit
- ▶ Fully drainable through bottom outlet
- ▶ **Material:** 316L stainless steel (wetted parts)
- ▶ **Seal:** Nitrile (Viton or EPDM available as spares See "Spare seals kit")
- ▶ **Connections:** pressed loose flanges
- ▶ **Operating conditions:**  
Pressure: 6 bar max. at 100°C

ATEX marking: on request

### OPTIONS

- ▶ Can receive an anti-return device, a magnetic system or a volume reducer (sheet FTQ/1PO/04E/A, page 29) or a basket on request
- ▶ W hold down ring to receive bags with W geometry

**APPLICATION :** Liquids, group 1 and 2 as per PED2014/68EU

### RECOMMENDED MAXIMUM FLOW RATE IN M<sup>3</sup>/H

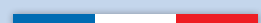
Article code	N° of bags	Flow rate in m <sup>3</sup> /h
VPO4PO31KXA6E	4	140
VPO6PO31KXA6E	6	210
VPO8PO31KXA6E	8	280
VPO10PO31KXA6E	10	350
VPO12PO31KXA6E	12	420

Recommended flow rate for pressure drop of 0.150 bar  
Viscosity equivalent to that of water

### CODING SYSTEM

VPO Multi-bag filter	4 N° of bags 4, 6, 8, 10, 12	PO31KXA6E Model	WS6 Bag support ___ : U bags WS6: W bags
-------------------------	------------------------------------	--------------------	---

**AS A MANUFACTURER,** we can adapt the filters to your particular conditions. Our Design Office can design filters adapted to your usages.



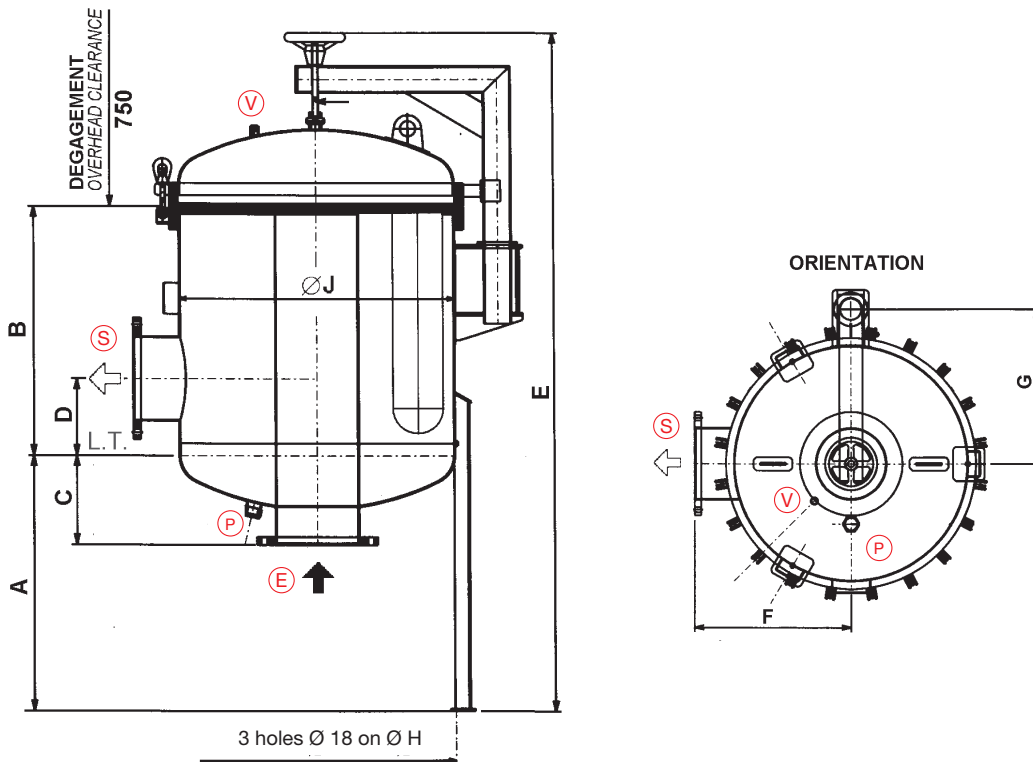
# MULTI-BAG FILTER VESSEL

PO31 KXS SERIES

## DIMENSIONS AND CONNECTIONS

Model	A (mm)	B (mm)	C (mm)	D (mm)	E (mm)	F (mm)	G (mm)	ØH/J (mm)	Weight (kg)	Vol. (L)	Inlet/Outlet (E S)	Vent (V)	Drain (P)
4 PO 31 KXS	630	760	200	250	1830	405	430	600	190	290	DN150 PN10*	Ø1/2" BSP female	Ø1"1/2 BSP male
6 PO 31 KXS	730				1945	465	455	650	200	340	DN200 PN10*		
8 PO 31 KXS	810	770	275	220	2120	550	540	800	250	550	DN250 PN10*		
10 PO 31 KXS	950	810	290	250	2330	600	590	900	375	760	DN250 PN10*		
12 PO 31 KXS	1100	740	350	280	2435	750	665	1050	450	950	DN300 PN10*		

\*Pressed loose flanges



SPARE SEALS KIT containing: 2 cover seals + 2 vent seals				
Model	Nitrile code	FEP/Viton code	Viton code	EPDM code*
4 PO	3KIN4PO31 KXREC	3KIT4PO31 KXREC	3KIV4PO31 KXREC	3KIE4PO31 KXREC
6 PO	3KIN6PO31 KXREC	3KIT6PO31 KXREC	3KIV6PO31 KXREC	3KIE6PO31 KXREC
8 PO	3KIN8PO31 KXREC	3KIT8PO31 KXREC	3KIV8PO31 KXREC	3KIE8PO31 KXREC
10 PO	3KIN10PO31 KXREC	3KIT10PO31 KXREC	3KIV10PO31 KXREC	3KIE10PO31 KXREC
12 PO	3KIN12PO31 KXREC	3KIT12PO31 KXREC	3KIV12PO31 KXREC	3KIE12PO31 KXREC

SPARE PARTS	
Item	Article code
U bag support for PO31 KX	3SPPO31S6ED
W bag support for PO31 KX	3SPTPO31S6WSTD
Swing bolt for 4PO / 6PO	3BB14115C
Swing bolt for 8PO	3BB16120C
Swing bolt for 10PO / 12PO	3BB16140C
Hold down ring	3DAPOCHES6

\* EPDM seals: compliant with the requirements of the FDA, ACS and 1935/2004 EU on request