

QUICK-OPEN MULTI-BAG FILTER VESSEL

PO31C SERIES



MULTI-BAG FILTER VESSEL

- ▶ To be fitted with 4, 6, 8, 10 or 12 standard bags - Size 20

GEOMETRY OF THE BAG

- ▶ Standard U bag
- ▶ W bag: 45% more surface area to filter higher flow rates or extend the lifespan of the bag
- ▶ Wide selection of felt, monofilament or HP felt bags with O-ring or molded "AMP" ring (sheet FTQ/1PO/01E/A pages 22-26)

DESCRIPTION

- ▶ **Quick-open/close in less than one minute** (after decompression and draining)
- ▶ The cover's balancer springs allow for effortless opening
- ▶ Easier maintenance and cleaning thanks to the reduced height offer access to the seal seats
- ▶ Fully drainable through bottom outlet
- ▶ **Material:** 316L stainless steel (wetted parts)
- ▶ **Seal:** Nitrile (Viton or EPDM available as spares. See "Spare seals")
- ▶ **Connections:** pressed loose flanges
- ▶ **Safety**
 - ▶ Dual safety device when opening
 - ▶ The cover can be locked in the open position
- ▶ **Operating conditions**
Pressure: 6 bar max. at 100°C

ATEX marking: on request

OPTIONS

- ▶ Can receive a magnetic system or a volume reducer (sheet FTQ/1PO/04E/A, page 29) or a basket on request
- ▶ Can receive high-capacity cartridges
- ▶ W hold down ring to receive bags with W geometry

APPLICATION : Liquids, group 1 and 2 as per PED2014/68EU

RECOMMENDED MAXIMUM FLOW RATE IN M³/H

Coding	N° of bags	Flow rate in m ³ /h
4PO4PO31C	4	100
4PO6PO31C	6	210
4PO8PO31C	8	280
4PO10PO31C	10	350
4PO12PO31C	12	420

Recommended flow rate for pressure drop of 0.150 bar
Viscosity equivalent to that of water.

CODING SYSTEM

4PO Multi-bag filter	4 N° of bags 4, 6, 8, 10, 12	PO31 C Model PO31C	WS6 Bag support ____ : U bags WS6: W bags
-------------------------	------------------------------------	-----------------------	--

AS A MANUFACTURER, we can adapt the filters to your particular conditions. Our Design Office can design filters adapted to your usages.



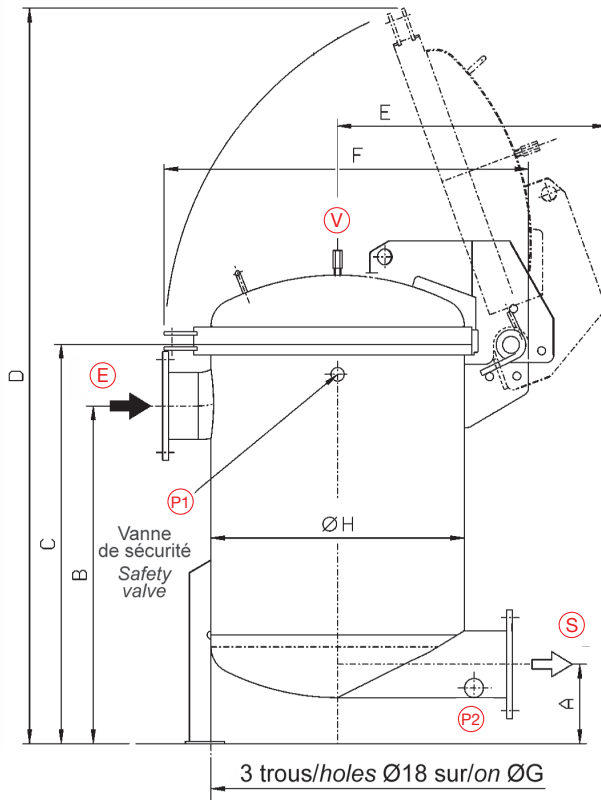
QUICK-OPEN MULTI-BAG FILTER VESSEL

PO31C SERIES

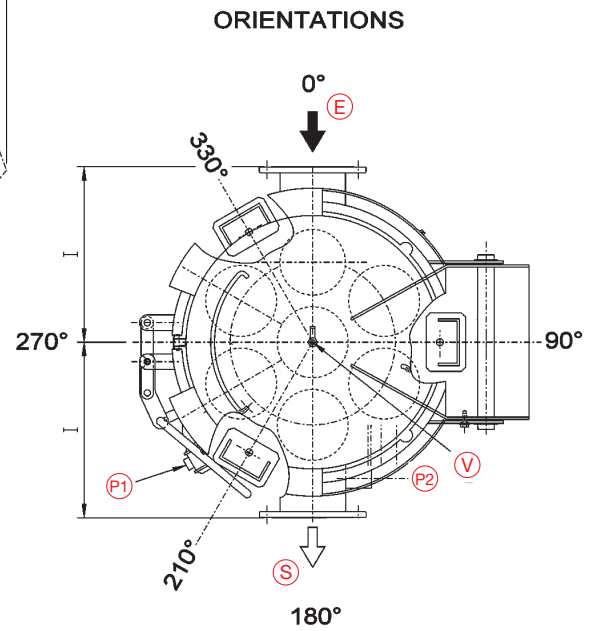
DIMENSIONS AND CONNECTIONS

Model	A (mm)	B (mm)	C (mm)	D (mm)	E (mm)	F (mm)	G/H (mm)	I (mm)	Weight (kg)	Vol. (L)	Inlet/Outlet (E) (S)	Vent (V)	Drain (P ₁)	Drain (P ₂)
4 PO 31 C	200	850	1005	1761	645	905	550	400	170	200	DN100 PN10*	Ø3/8" BSP female	1" BW valve	1"1/2 BW pipe
6 PO 31 C				1851	690	999	650	450	240	310	DN150 PN10*			
8 PO 31 C				1992	765	1150	800	550	260	480	DN200 PN10*			
10 PO 31 C	300	925	1183	2316	845	1305	950	600	375	735	DN250 PN10*			
12 PO 31 C									380					

*Pressed loose flanges



Ball valve supplied with (P₁)



SPARE COVER SEAL			
Model	Nitrile code	Viton code	EPDM code*
4 PO	2JCPRDC4PON	2JCPRDC4POV	2JCPRDLC4POEFDA
6 PO	2JCPRDC6PON	2JCPRDC6POV	2JCPRDLC6POEFDA
8 PO	2JCPRDLC8PO	2JCPRDC8POV	2JCPRDLC8POEFDA
10 PO	2JCPRDLC10PN	2JCPRDLC10PV	2JCPRDLC10POEDA
12 PO			

SPARE PARTS	
Item	Article code
U bag support for PO31C	3SPPO31S6ED
W bag support for PO31C	3SPTPO31S6WSTD
Hold down ring	3DAPOCHES6MPCLAMP

*EPDM seals: compliant with the requirements of the FDA