

# SINGLE-BAG FILTER VESSEL

## RAFALE MR SERIES



### FILTER TO BE FITTED WITH

- ▶ **One bag - Size 30 or 40**

### GEOMETRY OF THE BAG

- ▶ Standard U bag
- ▶ W bag: 45% more surface area to filter higher flow rates or extend the lifespan of the bag
- ▶ Wide selection of felt, Monofilament or HP felt bags with O-ring (sheet FTQ/1PO/01E/A, pages 22-26)

### DESCRIPTION

- ▶ Quick-open cover with swing bolts
- ▶ High-capacity filter
- ▶ **Material:** 316L stainless steel (wetted parts)
- ▶ **Seal:** Nitrile available as original equipment (Viton or EPDM available as spares See "Spare seals kit").
- ▶ **Connections:** pressed loose flanges
- ▶ **Operating conditions:**  
Pressure: 10 bar max. at 100°C  
**ATEX marking:** on request

### OPTIONS

- ▶ Cover lifting davit
- ▶ Can receive an anti-return device, a magnetic system or a volume reducer (sheet FTQ/1PO/04E/A, page 29)
- ▶ W hold down ring to receive bags with W geometry

**APPLICATION :** Liquids, group 1 and 2 as per PED2014/68/EU

### RECOMMENDED MAXIMUM FLOW RATE IN M<sup>3</sup>/H

Coding	Bag size	Flow rate
VRAFALE1MRS6(P)	30 Ø260mm L 860mm	50
VRAFALE2MRS6(P)	40 Ø260mm L 1070mm	70

Recommended flow rate for pressure drop of 0.150 bar  
Viscosity equivalent to that of water

- Felt bag, 1 to 100 µm
- Monofilament bag, 5 to 1,000 µm

### CODING SYSTEM

<b>V</b> Rafale Bag filter	<b>1</b> Bag size	<b>MR</b> Swing bolts	<b>S6</b> Material	<b>P</b> Davit
	1: size 30 2: size 40		S6: 316L Stainless steel	: without davit P: with davit

**AS A MANUFACTURER,** we can adapt the filters to your particular conditions. Our Design Office can design filters adapted to your usages.



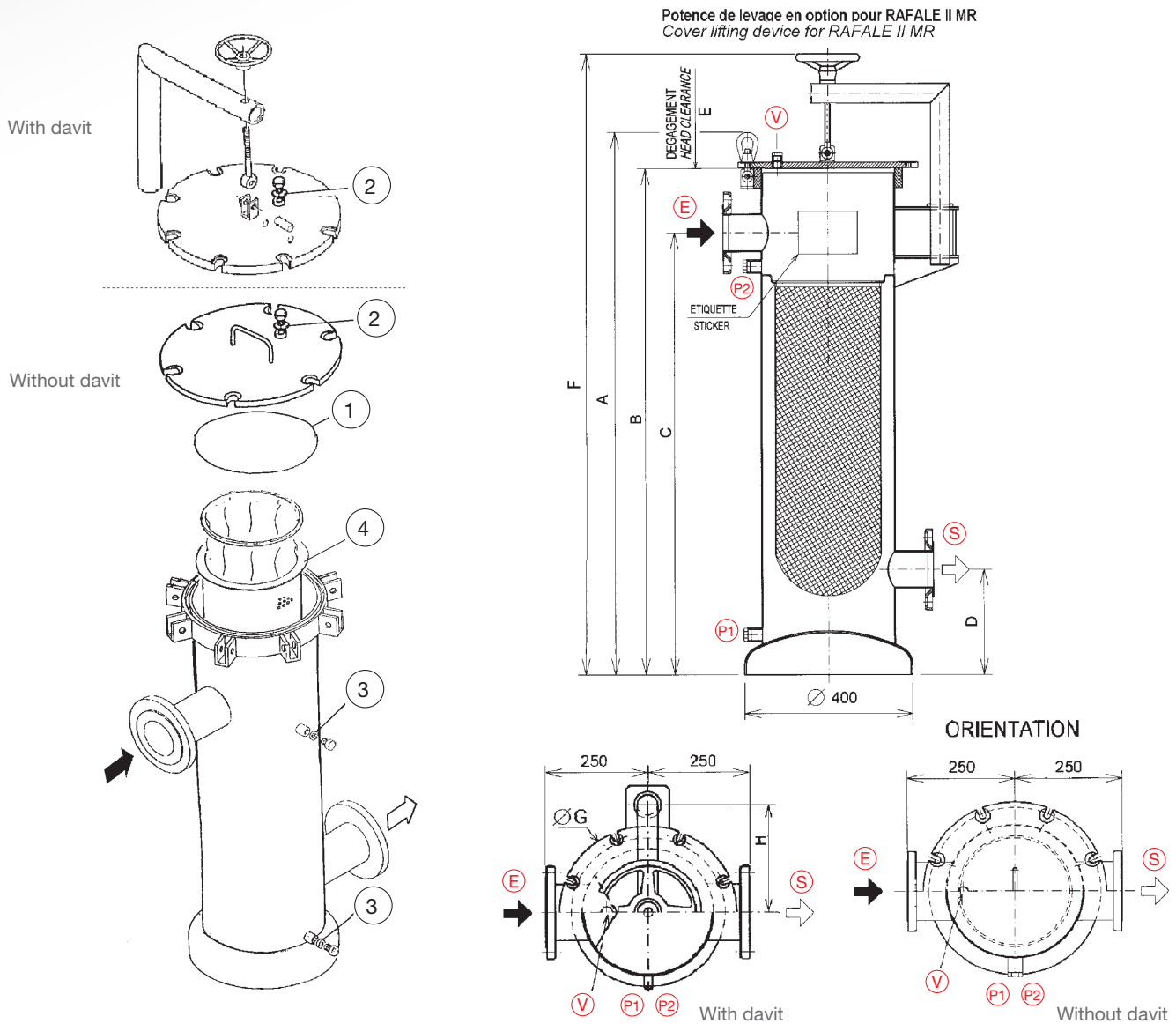
# SINGLE-BAG FILTER VESSEL

RAFALE MR SERIES

## DIMENSIONS AND CONNECTIONS

Model	A (mm)	B (mm)	C (mm)	D (mm)	E (mm)	F (mm)	G (mm)	H (mm)	Weight (kg)	Vol. (L)	Inlet/Outlet (E S)	Vent (V)	Drain (P1 P2)
RAFALE I MR	1285	1200	1050	250	800	/	427	/	41	90	DN80 PN10*	Ø3/8"	Ø3/4"
RAFALE II MR	1545	1460	1300		1100	1742		285	77	110	DN100 PN10*	BSP female	BSP female

\*Pressed loose flanges



SPARE SEALS KIT containing: 2 cover seals ① + 1 vent seal ② + 2 drain seals ③	
Material	Article code
Nitrile	3KINRAFALEMRREC
Viton	3KIVRAFALEMRREC
FEP / Viton	3KITRAFALEMRREC
EPDM *	3KIERAFALEMRWREC

\* EPDM seals: compliant with the requirements of the FDA, ACS and 1935/2004 EU

SPARE PARTS	
Item	Article code
④ U bag support for RAFALE 1 MR	3SPTPRAFALE1S6
④ U bag support for RAFALE 2 MR	3SPTPRAFALE2S6
Swing bolt	3BB14L65C