

# SINGLE-BAG FILTER VESSEL

## LBVS SERIES



### FILTER TO BE FITTED WITH

- ▶ **One bag - Size 10 or 20**

### GEOMETRY OF THE BAG

- ▶ Standard U bag
- ▶ W bag: 45% more surface area to filter higher flow rates or extend the lifespan of the bag
- ▶ Wide selection of felt, monofilament or HP felt bags with O-ring or molded "AMP" (sheet FTQ/1PO/01E/A, pages 22-26)

### DESCRIPTION

- ▶ Quick closure by V-clamp
- ▶ Fully drainable through bottom outlet
- ▶ Adjustable feet
- ▶ **Material:** 316L stainless steel (wetted parts)
- ▶ **Seal:** Nitrile (Viton or EPDM available as spares. See "Spare seals kit")
- ▶ **Connections:** BSP thread
- ▶ **Finish:** polished
- ▶ **Operating conditions:**

- Pressure: ▶ 6 bar max. at 60°C  
▶ 10 bar max. at 20°C

ATEX marking: on request

### OPTIONS

Can receive a non-return device or a magnetic system (sheet FTQ/1PO/04E/A, page 29) or a basket on request

**APPLICATION : Liquids, group 1 and 2 as per PED 2014/68/EU**

### RECOMMENDED MAXIMUM FLOW RATE IN M<sup>3</sup>/H CODING SYSTEM

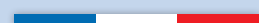
Coding	Bag size	Flow rate
VVLBVS11LG2001	<b>10</b> Ø180mm L 450mm	20
VVLBVS12LG2001	<b>20</b> Ø180mm L 820mm	30
VVLBVS12LG3001WS6	<b>20W</b> Ø180mm L 820mm	45

VVLBVS LBVS series bag filter	12 Bag size	LG2001 Inlet/Outlet	W Bag support
	11: size 10 12: size 20	LG2001: 2" BSP LG3001: 3" BSP	— : U bag W: W bag

Recommended flow rate for pressure drop of 0.150 bar  
Viscosity equivalent to that of water

- Felt bag, 1 to 100 µm
- Monofilament bag, 5 to 1,000 µm

**AS A MANUFACTURER,** we can adapt the filters to your particular conditions. Our Design Office can design filters adapted to your usages.



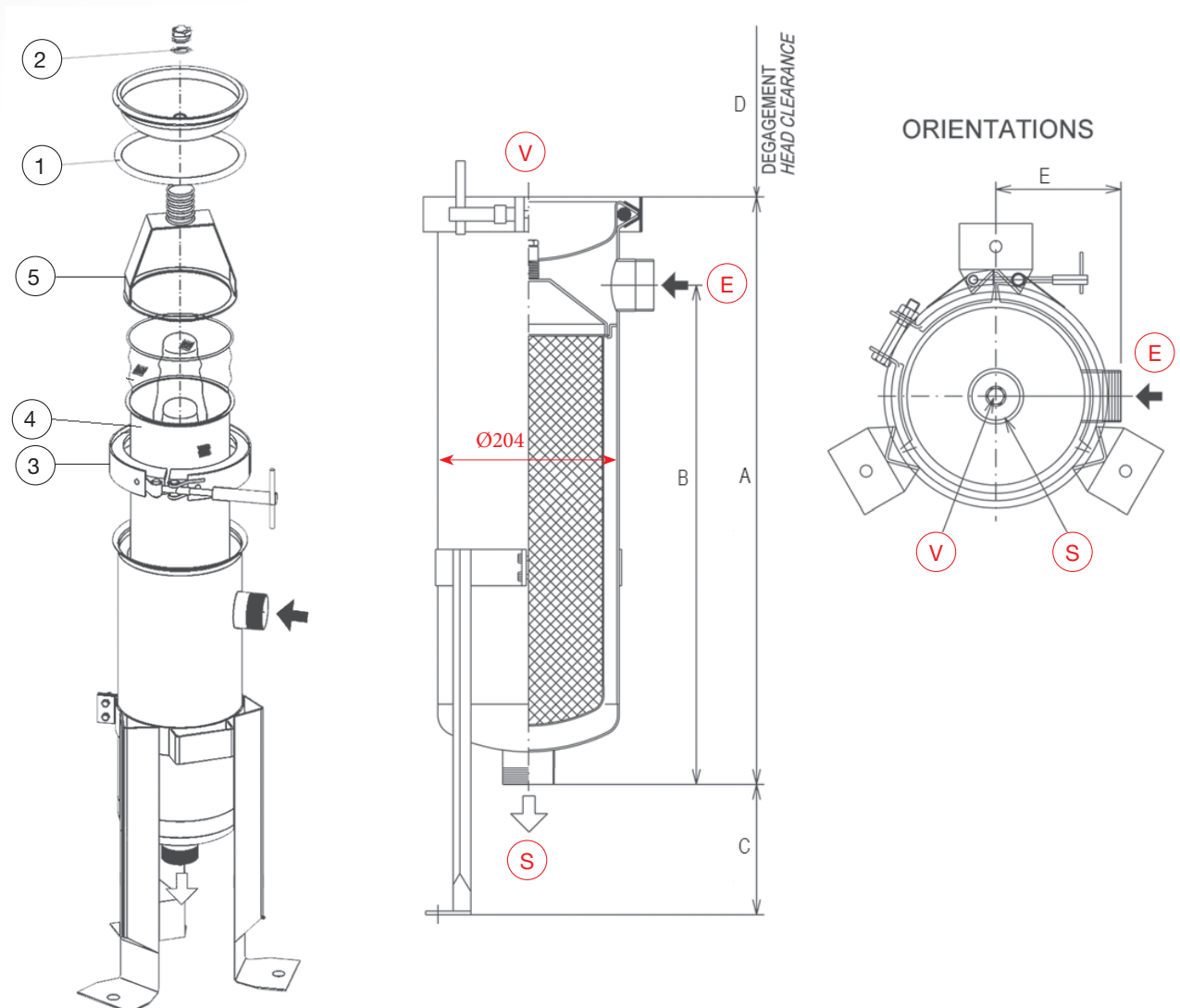


# SINGLE-BAG FILTER VESSEL

LBVS SERIES

## DIMENSIONS AND CONNECTIONS

Model	A (mm)	B (mm)	C (mm)	D (mm)	E (mm)	Weight (kg)	Vol. (L)	Inlet/Outlet (E S)	Vent (V)
LBVS 11	722	585	200	500	140	17	19	Ø2" BSP male	Ø3/8" BSP female
LBVS 12	1072	935	150	800		30	29		
LBVS 12 W	1082	945	140		150			Ø3" BSP male	



SPARE SEALS KIT	
containing: 2 cover seals ① + 2 vent seals ②	
Material	Article code
Nitrile	3KINLBVS12REC
Viton	3KIVLBVS12REC
EPDM *	3KIELBVS12WREC

\* EPDM seals: compliant with the requirements of the FDA, ACS and 1935/2004 EU

SPARE PARTS	
Item	Article code
③ V-clamp	2CSLBVS12S4
④ Support for standard U bag (LBVS 11)	3SPTPPO18S6DFP
④ Support for standard U bag (LBVS 12)	3SPPO31S6ED
④ Support for W bag (LBVS 12)	3SPTPPO31S6WSTD
⑤ Hold down ring	3DAPO18S6181