

# MAGNETIC FILTERS

## FMC SERIES WITH 1 OR 3 CANDLES



### FILTER TO BE FITTED WITH

- ▶ One or three magnetic candles measuring 210 or 450mm in length, depending on the model

### DESCRIPTION

- ▶ The magnetic candles trap the magnetic particles contained in the fluid (protection of downstream equipment)
- ▶ The candles have an **unlimited lifespan**
- ▶ Quick closure by V-clamp
- ▶ **Finish:** mechanical polished
- ▶ **Material:** 316L stainless steel (wetted parts)
- ▶ **Seal:** EPDM available as original equipment (Viton or EPDM available as spares. See "Spare seals kit").
- ▶ **Connections:** BSP thread
- ▶ **Operating conditions:**  
Pressure: 10 bar max. at 100°C

ATEX marking: on request

### OPTIONS

Textile sleeve for magnetic candles for easier cleaning (see sheet FTQ/1TL/01/A)

**APPLICATION :** Liquids, group 1 and 2 as per PED 2014/68EU

### RECOMMENDED MAXIMUM FLOW RATE IN M<sup>3</sup>/H

Coding	N° of candles	Candle length (mm)	M <sup>3</sup> /h
VFMC2001B1S6	1	210	3
VFMC4001B1.5S6	1	450	5
VFMC4003B1.5S6	3	450	10
VFMC4003B2S6	3	450	15

### CODING SYSTEM

VFMC FMC series	200 Length of the candles	1B Number of candles	1.5 Inlet/Outlet	S6 Material
	200: 210mm 400: 450mm	1B: 1 candle 3B: 3 candles	1: 1" BSP male 1.5: 1 1/2" BSP male 2: 2" BSP male	S6: 316L Stainless steel

**AS A MANUFACTURER,** we can adapt the filters to your particular conditions. Our Design Office can design filters adapted to your usages.

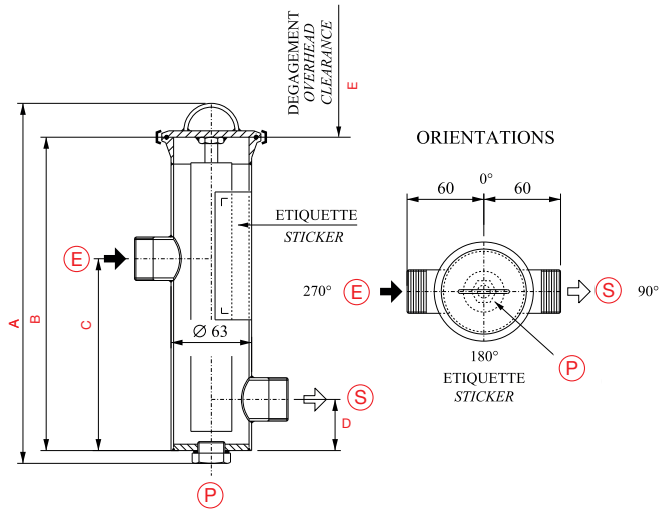
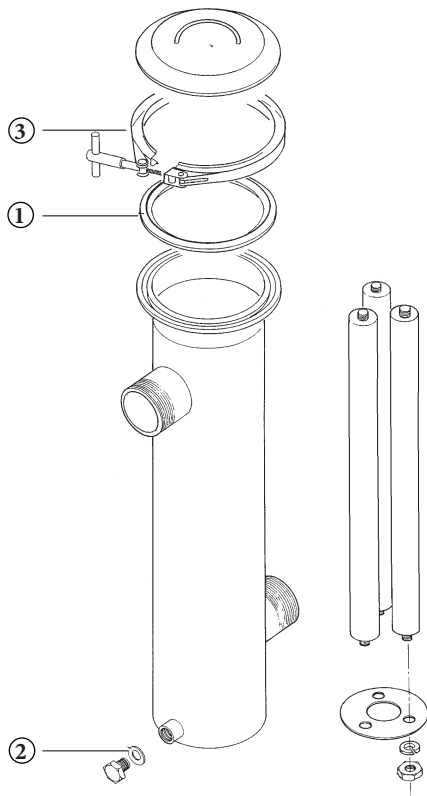


# MAGNETIC FILTERS

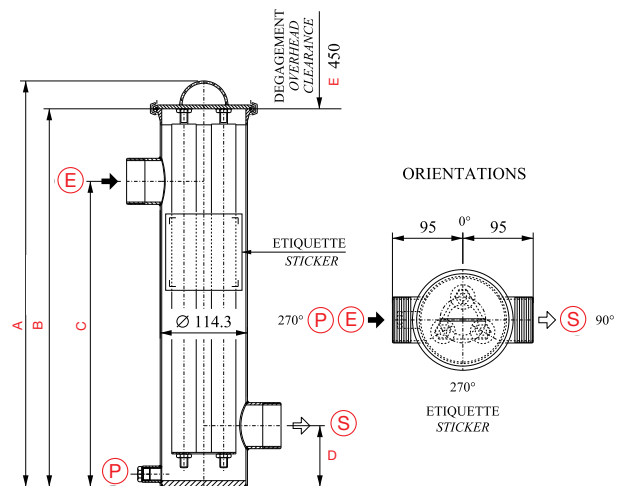
FMC 1B - 3B SERIES

## DIMENSIONS AND CONNECTIONS

Model	A (mm)	B (mm)	C (mm)	D (mm)	E (mm)	Weight (kg)	Vol. (L)	Inlet/Outlet (E) (S)	Drain (P)
FMC2001B1S6	285	245	150	40	250	2.8	0.7	Ø1" BSP male	Ø1/2" BSP female
FMC4001B1.5S6	530	495	400	80	450	5	1.2	Ø1 1/2" BSP male	
FMC4003B1.5S6						10	5	Ø2" BSP male	Ø3/8" BSP female
FMC4003B2S6									



FMC 200 model (1 candle)  
FMC 400 model (1 candle)



FMC 400 model (3 candles)

**SPARE SEALS KIT** containing:  
2 cover seals ① + 1 drain seal ②

Series	EPDM code	Viton code
FMC 1 candle	3KIEFMC1BMREC	3KIVFMC1BMREC
FMC 3 candles	3KIEFMC3BMREC	3KIVFMC3BMREC

**SPARE PARTS**

Item	FMC 1 candle	FMC 3 candles
③ V-clamp	2CSFC1BS4	2CSL906S4