

MULTI-PURPOSE FILTER VESSEL

COFIPORE® FOR BAGS, BASKETS OR CARTRIDGES



FILTER TO BE FITTED WITH

- ▶ Size 20 or 20W felt, monofilament or HP felt bag, with O-ring or molded DP ring (the filter comes with a bag support by default) (sheet FTQ/1PO/01E/A, pages 22-26)
- ▶ or Poromesh® basket (sheet FTQ/1PD/01E/A, pages 38-39)
- ▶ or DOE, SOE 222 or SOE 226 cartridges. Up to four 10" to 30" cartridges (the adaptor for cartridges is supplied separately).

DESCRIPTION

- ▶ Reduced upstream dead volume for minimal product loss
- ▶ Quick-open cover with Bakelite swing bolts
- ▶ Fully drainable through bottom outlet
- ▶ Adjustable feet
- ▶ **Finish:** mechanical polished
- ▶ **Material:** 316L stainless steel (wetted parts)
- ▶ **Seal:** Nitrile (PTFE, Viton or EPDM available as spares. See "Spare seals kit").
- ▶ **Connections:** threaded or flanged (depending on the model)
- ▶ **Operating conditions:**

Pressure: 10 bar max. at 100°C

ATEX marking: on request

OPTIONS

Can be used with a non-return device or a magnetic system or a volume reducer (sheet FTQ/1PO/04E/A)

APPLICATION : Liquids, group 1 and 2 as per PED 2014/68/EU

RECOMMENDED MAXIMUM FLOW RATE IN M³/H

Article code	Bag size	Flow rate
VCO31STD2B	20	30
VCO31STD2G		
VCO31STD2BWS6	20W	45
VCO31STD2GWS6		

Recommended flow rate for pressure drop of 0.150 bar on the bag.

Viscosity equivalent to that of water

- Felt bag, 1 to 100 µm
- Monofilament bag, 5 to 1,000 µm

CODING SYSTEM

V Filter vessel	CO31 STD Coffipore	2B Inlet/Outlet	WS6 Bag support
		2G: 2"BSP 2B: DN50 PN1611-B	_ : U bag WS6: W bag

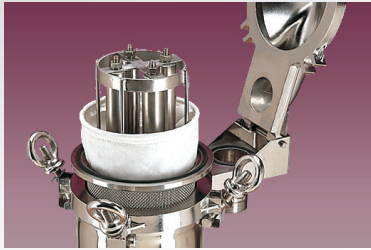
AS A MANUFACTURER, we can adapt the filters to your particular conditions. Our Design Office can design filters adapted to your usages.



MULTI-PURPOSE FILTER VESSEL

COFIPORE®

COMPATIBLE AND INTERCHANGEABLE FILTER ELEMENTS



Bag, with or without magnetic device



Poromesh® basket, with or without magnetic device



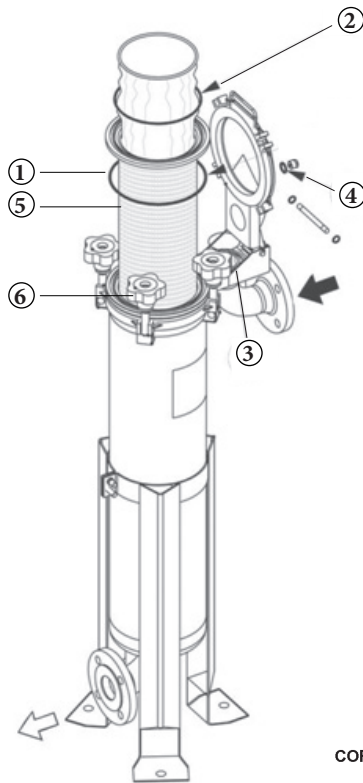
Cartridges

Non-contractual photos

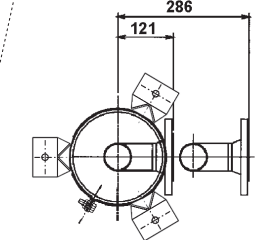
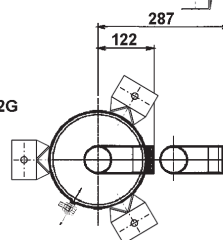
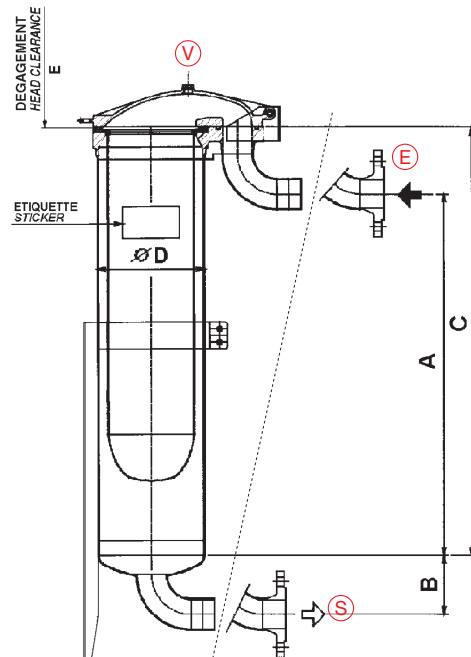
DIMENSIONS AND CONNECTIONS

Model	A (mm)	B (mm)	C (mm)	D (mm)	E (mm)	Weight (kg)	Vol. (L)	Inlet/Outlet (E S)	Vent (V)
CO31 2G	745	113	863	204	750	25	30	Ø2" BSP male	Ø3/8" BSP female
CO31 2B								DN50 PN16*	

*Neck flanges



COFIPORE C31 2G



COFIPORE C31 2B

SPARE SEALS KIT containing:	
2 sets of cover seals ① ② ③ + 1 vent seal ④	
Material	Article code
Nitrile	3KINCOFIPOREREC
PTFE	3KITCOFIPOREREC
Viton	3KIVCOFIPOREREC
EPDM *	3KIECOFIPOREWREC

* EPDM seals: compliant with the requirements of the FDA, ACS and 1935/2004 EU

SPARE PARTS	
Item	Article code
⑤ U bag support	3SPCOFIPORE2S6
W bag support	3SPTPCOT2S6WG
⑥ Swing bolt	3BBM16COFIPORE
Poromesh® basket	(on request)
Cartridge adaptor	(on request)