

SINGLE-CARTRIDGE HIGH FLOW RATE FILTER VESSEL

CORELESS SERIES



FILTER TO BE FITTED WITH

- ▶ Consumable or metal Poromesh® type cartridge: 20" or 40", Ø6" (152mm) (sheet FTQ/1CP/02E/A)

DESCRIPTION

- ▶ Types of closure
 - ▶ By V-clamp
 - ▶ By swing bolts
- ▶ Easy cartridge replacement thanks to an opening at mid-height with a cover fitted with handle (on models with V-clamps)
- ▶ Easier to maintain than multi-cartridge filters (type LBV or CDF)
- ▶ Adjustable feet available
- ▶ **Material:** 316L stainless steel (wetted parts)
- ▶ **Seal:** EPDM, Viton or Nitrile.
- ▶ **Connections:** massive flanges or SMS
- ▶ **Operating conditions**
 - Pressure
 - ▶ 10 bar max. at 60°C for versions with V-clamps
 - ▶ 10 bar max. at 100°C for versions with swing bolts

ATEX marking: on request

OPTIONS ON REQUEST

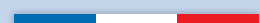
- ▶ Dismountable inner core
- ▶ Taps for differential pressure gauge

APPLICATION : Liquids, group 1 and 2 as per PED 2014/68/EU

CODING SYSTEM

4CA Cartridge filter	1CO N° of cartridges	2 Cartridge length	B Type of connection	E Seal	MR Type of closure	L Adjustable feet
		2: 20" 4: 40"	F80: DN80 flange F100: DN100 flange S76: SMS 76 S104: SMS 104	E : EPDM V: Viton N: Nitrile	_ : V-clamp MR: Swing bolts	_ : without adjustable feet L: with adjustable feet

AS A MANUFACTURER, we can adapt the filters to your particular conditions. Our Design Office can design filters adapted to your usages.





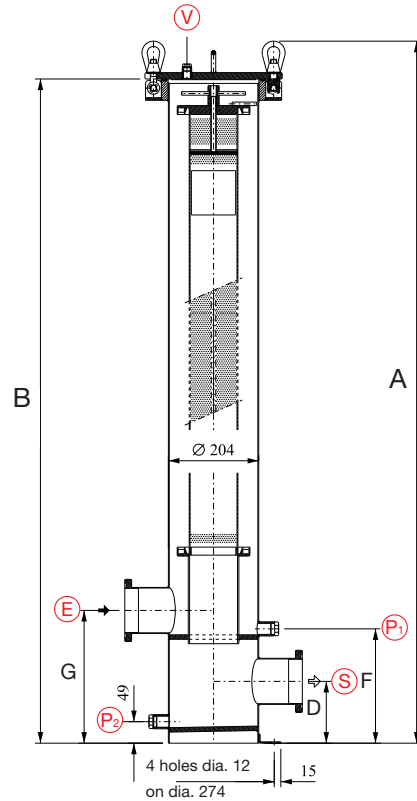
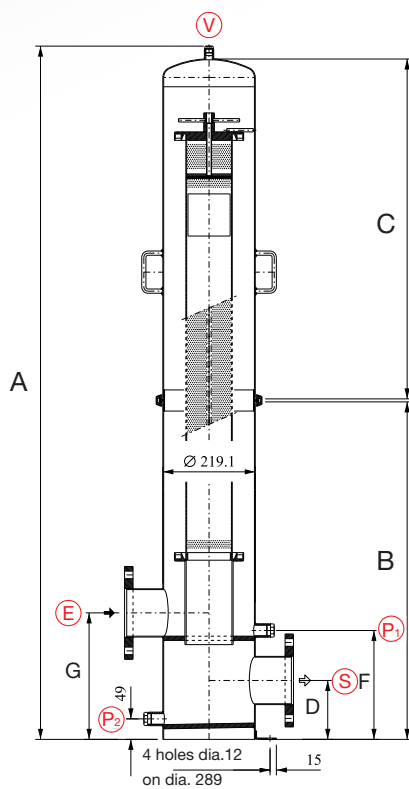
SINGLE-CARTRIDGE HIGH FLOW RATE FILTER VESSEL

CORELESS SERIES

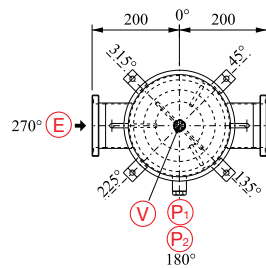
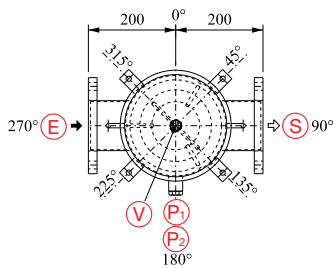
DIMENSIONS AND CONNECTIONS

Model	A* (mm)	B* (mm)	C (mm)	D* (mm)	F* (mm)	G* (mm)	Weight (kg)	Vol. (L)	Inlet/Outlet (E) (S)	Vent (V)	Drain (P ₁) (P ₂)
4CA1CO20 (V-clamp)	1138	800	300	140	258	300	44	39	DN80 PN10 (massive flanges) or DN100 PN10 (massive flanges) or SMS76 or SMS104	3/8" BSP female	3/4" BSP female
4CA1CO20 (swing bolts)	1075	990	-	140	258	300	54	30			
4CA1CO40 (V-clamp)	1643	800	805	140	258	300	52	58			
4CA1CO40 (swing bolts)	1585	1500	-	140	258	300	62	46			

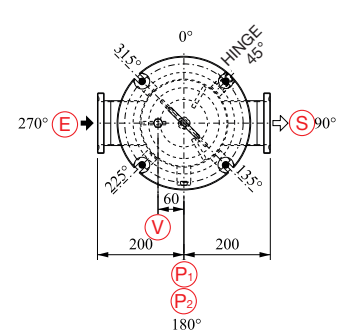
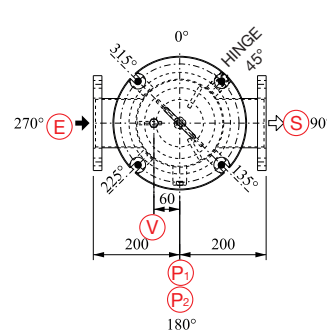
*Add 200mm for models with adjustable feet



ORIENTATIONS



ORIENTATIONS



SPARE SEALS KIT containing:
2 cover seals + 2 drain seals + 2 vent seals

Material	Article code
EPDM *	3KIELBV61WREC
Viton	3KIVLBV61REC
Nitrile	3KINLBV61REC

* EPDM seals: compliant with the requirements of the FDA, ACS and 1935/2004 EU