

# MULTI-CARTRIDGE FILTER VESSELS

## CDF MR SERIES



### FILTER TO BE FITTED WITH

- ▶ Pleated or depth cartridges up to Ø70mm (DOE, SOE 222 without bayonet, flat end cap).
- ▶ Also compatible with Poromesh® cartridges (sheet FTQ/1CP/01E/A)

### DESCRIPTION

- ▶ Cartridges of different lengths can be stacked (10", 20", 30", 40", 50")
  - See table below for the number of cartridges.
- ▶ Quick open cover with swing bolts
- ▶ **Material:** 316L stainless steel (wetted parts)
- ▶ **Seal:** Nitrile (Viton or EPDM available as spares. See "Spare seals kit")
- ▶ **Connections:** threaded or flanged (depending on the model)
- ▶ **Operating conditions:**
  - Pressure: 10 bar max. at 100°C

ATEX marking: on request

- ▶ Cover lifting davit included with models: 51CDF3MR - 68CDF4MR - 85CDF5MR

**APPLICATION :** Liquids, group 1 and 2 as per PED 2014/68EU

### RECOMMENDED MAXIMUM FLOW RATE IN M<sup>3</sup>/H

Coding	Number of cartridges	1-5 microns		+ 10 microns	
		A	B	A	B
VCD3CDF1MRS6	3 x 10"	3	2	5	4
VCD6CDF2MRS6	3 x 20"	5	4	10	8
VCD9CDF3MRS6	3 x 30"	7	6	15	12
VCD12CDF2MRS6	6 x 20"	10	8	20	16
VCD18CDF3MRS6	6 x 30"	15	13	30	23
VCD24CDF4MRS6	6 x 40"	20	17	32	31
VCD30CDF3MRS6(P)	10 x 30"	24	21	51	39
VCD40CDF4MRS6(P)	10 x 40"	32	28	51	52
VCD51CDF3MRS6P	17 x 30"	39	36	85	66
VCD68CDF4MRS6P	17 x 40"	54	48	90	88
VCD85CDF5MRS6P	17 x 50"	68	59	90	90

Recommended flow rate for pressure drop of 0.150 bar - Viscosity equivalent to that of water.  
A= Pleated cartridge B= Depth cartridge

### CODING SYSTEM

VCD Cartridge filter	30 Number of elements, 10" equivalent	CDF CDF series	3 Number of elements 10" equivalent, per column	MR Swing bolts	S6 Material	P Davit
	3, 6, 9, 12, 18, 24, 30, 40, 51, 68, 85		1, 2, 3, 4, 5		S6: 316L Stainless steel	_ : without davit P: with davit

**AS A MANUFACTURER,** we can adapt the filters to your particular conditions. Our Design Office can design filters adapted to your usages.



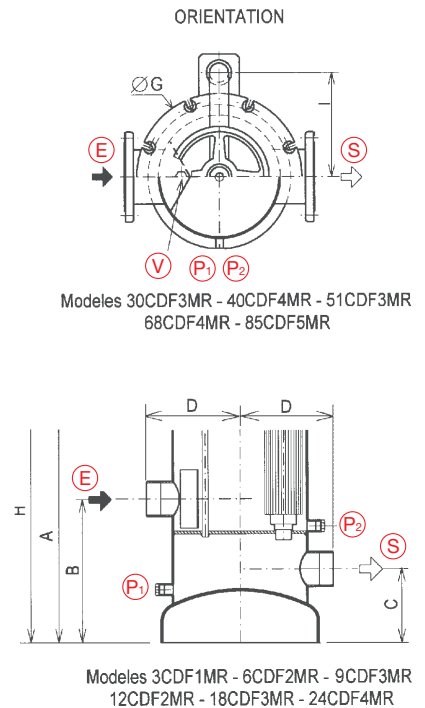
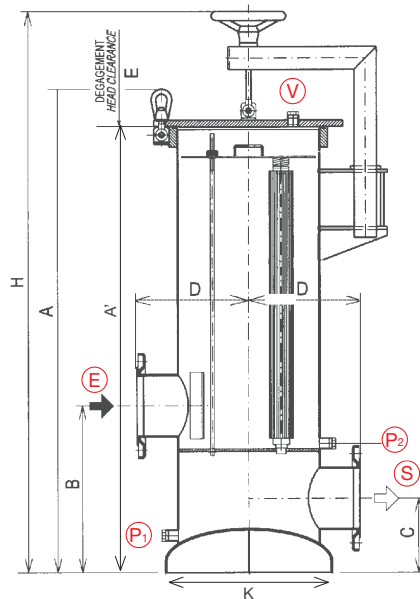
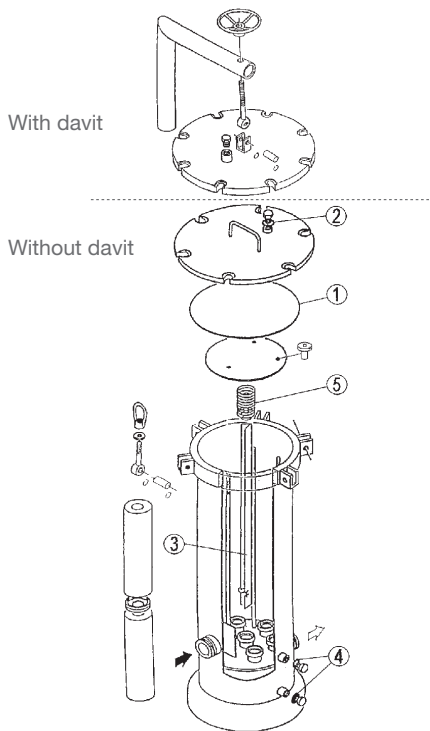
# MULTI-CARTRIDGE FILTER VESSELS

CDF MR SERIES

## DIMENSIONS AND CONNECTIONS

Model	A (mm)	A' (mm)	B (mm)	C (mm)	D (mm)	E (mm)	G (mm)	H (mm)	I (mm)	K (mm)	Weight (kg)	Vol. (L)	Inlet/Outlet (E S)	Vent (V)	Drain (P <sub>1</sub> P <sub>2</sub> )	
3CDF1MR	575	495	170	95	120	300	280	/	/	204	9	10	Ø1"1/2 BSP male	Ø3/8" BSP female	Ø3/4" BSP female	
6CDF2MR	840	760				600					12	16				
9CDF3MR	1105	1025				900					14	21				
12CDF2MR	900	815	300	150	170	600	353	/	/	273	30	27	Ø2" BSP male	Ø3/8" BSP female	Ø3/4" BSP female	
18CDF3MR	1195	1110				900					38	42				
24CDF4MR	1460	1375				1100					40	53				
30CDF3MR	1245	1155	360	175	250	900	427	/	/	400	81	85	DN100 PN10*	Ø3/8" BSP female	Ø3/4" BSP female	
30CDF3MRP						900		88	1440		285					
40CDF4MR	1505	1415	450	200	300	1100	520	/	/	450	88	105	DN150 PN10*	Ø3/8" BSP female	Ø3/4" BSP female	
40CDF4MRP						1100		95	1700		285					
51CDF3MRP		1225	450	200	300	900	520	1510	320	450	125	124	DN150 PN10*	Ø3/8" BSP female	Ø3/4" BSP female	
68CDF4MRP		1485				1100		1770			130					153
85CDF5MRP		1765				1300		2050			140					184

\*Pressed loose flanges



**SPARE SEALS KIT** containing:  
2 cover seals ① + 2 drain seals ④ + 2 vent seals ②

Series	Nitrile code	Viton code	EPDM code*
3-6-9 CDF MR	3KIN3CDFMRREC	3KIV3CDFMRREC	3KIE3CDFMRWREC
12-18-24 CDF MR	3KIN12CDFMRREC	3KIV12CDFMRREC	3KIE12CDFMRWREC
30-40 CDF MR	3KIN30CDFMRREC	3KIV30CDFMRREC	3KIE30CDFMRWREC
51-68-85 CDF MR	3KIN51CDFMRREC	3KIV51CDFMRREC	3KIE51CDFMRWREC

\* EPDM seals: compliant with the requirements of the FDA, ACS and 1935/2004 EU

**MAINTENANCE KIT**  
containing:  
Three cartridge guides ③  
+ three compression cups ⑤

Series	Article code
3 CDFMR	3KITM-3CDFXMR
6-12 CDF MR	3KITM-6CDFXMR
9-18-30-51 CDF MR	3KITM-9CDFXMR
24-40-68 CDF MR	3KITM-24CDFXMR
85 CDF MR	3KITM-85CDFXMR

### SPARE PARTS

Item	Article code
Swing bolts for models 3, 6, 9, 12, 18, 24, 30 and 40 CDFMR	3BB14L65C
Swing bolts for models 51, 58 and 85 CDFMR	3BB16L80C