

SINGLE-BAG FILTER VESSEL

PO8 HP SERIES



FILTER TO BE FITTED WITH

- ▶ One bag - size 08

GEOMETRY OF THE BAG

- ▶ Standard U bag
- ▶ Wide selection of felt, monofilament or HP felt bags with O-ring (sheet FTQ/1PO/01E/A, pages 22-26)

DESCRIPTION

- ▶ Quick-open cover with swing bolts
- ▶ Fully drainable through bottom outlet
- ▶ **Material:** 316L stainless steel (wetted parts)
- ▶ **Seal:** Viton or FEP/Viton
- ▶ **Connections:** BSP thread
- ▶ **Finish:** mechanical polished
- ▶ **Operating conditions:**
 - ▶ Pressure: 20 bar max. at 60°C with Viton seal
 - ▶ 16 bar max. at 60°C with FEP/Viton seal

ATEX marking: on request

OPTIONS

Can receive a volume reducer (sheet FTQ/1PO/04E/A, page 29) or a basket on request

APPLICATION : Liquids, group 1 and 2 as per PED 2014/68/EU

RECOMMENDED MAXIMUM FLOW RATE IN M³/H

Article code	Bag size	Flow rate
VPOPO8HPBBV	08 Ø107mm L 385mm	11
VPOPO8HPBBT		

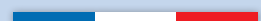
Recommended flow rate for pressure drop of 0.150 bar
Viscosity equivalent to that of water

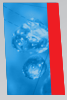
- Felt bag, 1 to 100 µm
- Monofilament bag, 5 to 1,000 µm

CODING SYSTEM

VPO Bag filter	PO8 Model PO8: size 08 bag	HP High pressure	BB Swing bolts	V Seal V: Viton T: FEP / Viton
-------------------	----------------------------------	---------------------	-------------------	---

AS A MANUFACTURER, we can adapt the filters to your particular conditions. Our Design Office can design filters adapted to your usages.



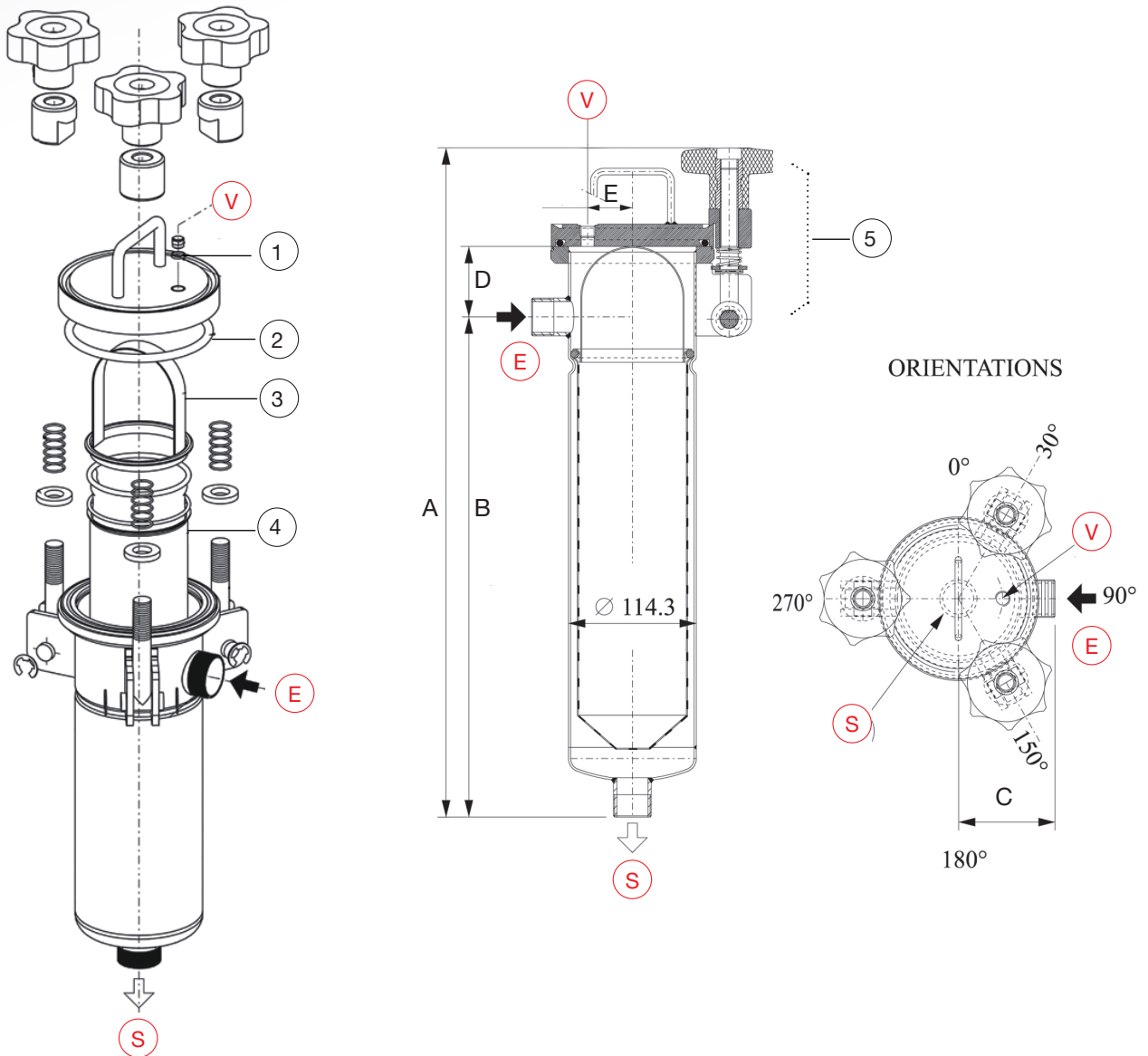


SINGLE-BAG FILTER VESSEL

PO8 HP SERIES

DIMENSIONS AND CONNECTIONS

Model	A (mm)	B (mm)	C (mm)	D (mm)	E (mm)	Weight (kg)	Vol. (L)	Inlet/Outlet (E) (S)	Vent (V)
PO 8 HP	603	452	90	63	40	10	4.3	Ø1 1/2" BSP male	Ø1/4" BSP female



SPARE SEALS KIT containing:	
2 PTFE vent seals ① + 2 cover seals ②	
Material	Article code
Viton	3KIVPO8HPBBREC
FEP/Viton	3KITPO8HPBBREC

SPARE PARTS	
Item	Article code
③ Hold down ring	2PDPO8APPUIS6
④ Bag support	3SPTPO8S6DFP
⑤ Swing bolt	3BB16PO8HP