

SINGLE-CARTRIDGE FILTER VESSEL

MONO SERIES



FILTER TO BE FITTED WITH

- ▶ All types of DOE cartridges, pleated or depth, consumable or metal, up to Ø70 mm (sheet FTQ/1CP/01E/A)
- ▶ One 10" or 20" cartridge, depending on the model

DESCRIPTION

- ▶ Quick-closure by V-clamp
- ▶ Easy to install thanks to the in-line inlet/outlet
- ▶ Fully drainable through bottom outlet

▶ **Material:** 316 stainless steel

▶ **Seal:** EPDM or Viton

▶ **Connections:** 1" BSP female

▶ **Operating conditions:**

Pressure: 7 bar max. at 75°C

ATEX marking: on request

APPLICATION : Liquids, group 1 and 2 as per PED 2014/68EU

RECOMMENDED MAXIMUM FLOW RATE IN M³/H

Article code	Model	Cartridge	1-5 microns		+ 10 microns	
			A	B	A	B
4FCMONOT1E 4FCMONOT1V	MONOT1	10"	1	0.7	1.5	1.1
4FCMONOT2E 4FCMONOT2V	MONOT2	20"	2	1.4	3	2.3

Recommended flow rate for pressure drop of 0.150 bar
Viscosity equivalent to that of water.

Cartridge: A=Pleated B=Depth

CODING SYSTEM

4FCMONO
Single-cartridge
filter series

T1
Length of
cartridge

T1: 10"
T2: 20"

E
Seal material

E : EPDM
V: Viton

AS A MANUFACTURER, we can adapt the filters to your particular conditions. Our Design Office can design filters adapted to your usages.

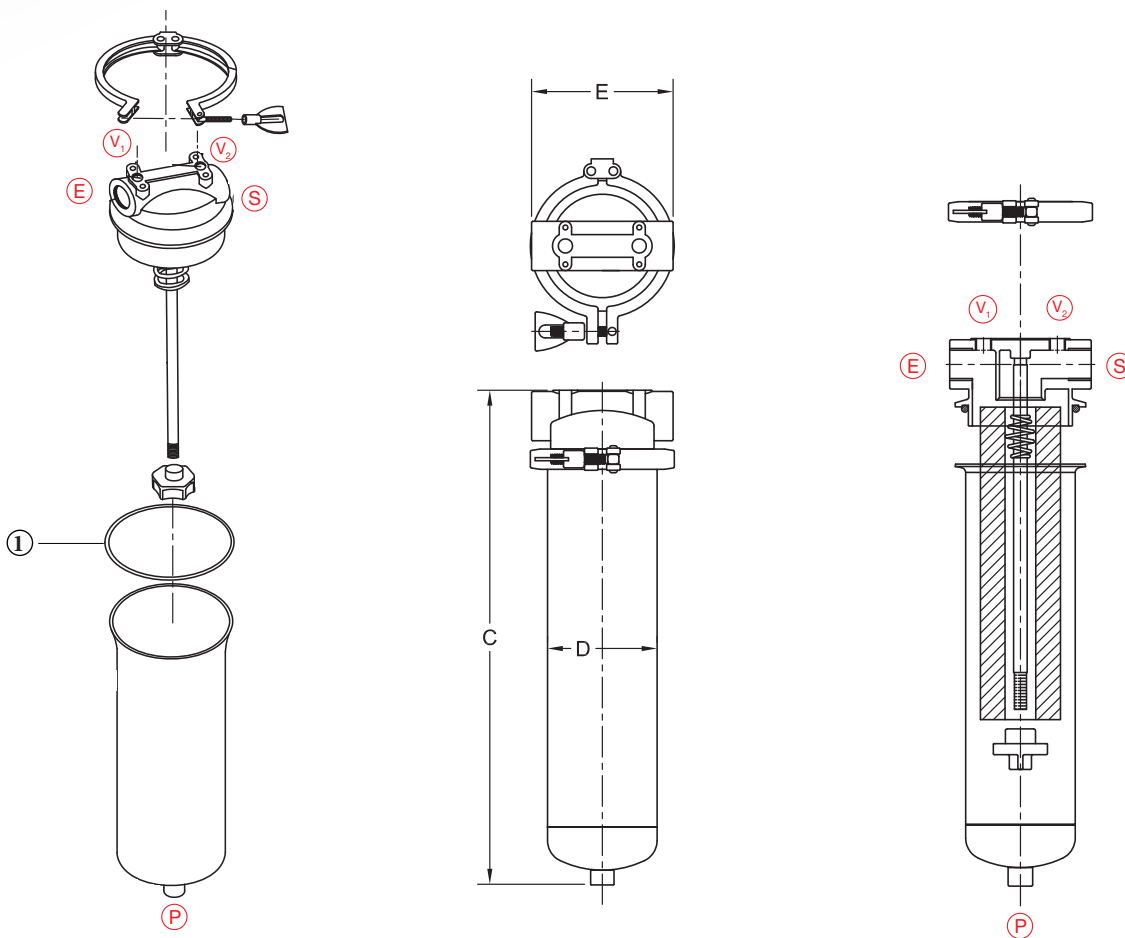


SINGLE-CARTRIDGE FILTER

MONO SERIES

DIMENSIONS AND CONNECTIONS

Model	C (mm)	D (mm)	E (mm)	Weight (kg)	Vol. (L)	Inlet/Outlet		Vent		Drain
						(E)	(S)	(V ₁)	(V ₂)	(P)
Mono T1	402	89	115	2.2	1.8	Ø1" BSP female		Ø1/4" BSP female		Ø1/2" BSP female
Mono T2	656	89	115	2.8	3.2					



SPARE SEALS:

One cover seal ①

Material	Article code
EPDM	2JTR43E
Viton	2JTR43V