

BASKET FILTER VESSEL

POROMESH® 230-300 SERIES



FILTER TO BE FITTED WITH

- ▶ **A Poromesh® basket filter** (sheet FTQ/1PD/01E/A, pages 38-39)

DESCRIPTION

- ▶ Quick-closure by V-clamp
- ▶ Filtration ratings: 5 µm to 10 mm
- ▶ **Material:** 316L stainless steel (wetted parts)
- ▶ **Seal:** Nitrile (Viton or EPDM available as spares. See “Spare seals kit”).
- ▶ **Connections:** BSP thread (model 231) or pressed loose flanges
- ▶ **Operating conditions:**
 - ▶ Pressure: 10 bar max. at 20°C (for models 231, 232, 233)
 - ▶ 6 bar max. at 60°C (for models 301, 302)

ATEX markings: on request

OPTIONS

Can receive a magnetic system (sheet FTQ/1PD/02E/A, pages 40-41)

APPLICATION : Liquids, group 1 and 2 as per PED 2014/68/EU

RECOMMENDED MAXIMUM FLOW RATE IN M³/H

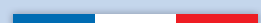
Article code	Filtration ratings			
	25-50 microns	60-100 microns	100-510 microns	>510 microns
VPA231S6	27	27	27	27
VPA232S6	43	43	43	43
VPA233S6	43	57	61	61
VPA301S6	70	93	102	102
VPA302S6	70	93	112	167

Recommended flow rate for pressure drop of 0.150 bar
Viscosity equivalent to that of water.

CODING SYSTEM

VPA Basket filter	301 Inlet/Outlet	S6 Material
	231: 2" BSP male 232: DN65 PN10 233: DN80 PN10 301: DN100 PN10 302: DN150 PN10	S6: 316L Stainless steel

AS A MANUFACTURER, we can adapt the filters to your particular conditions. Our Design Office can design filters adapted to your usages.





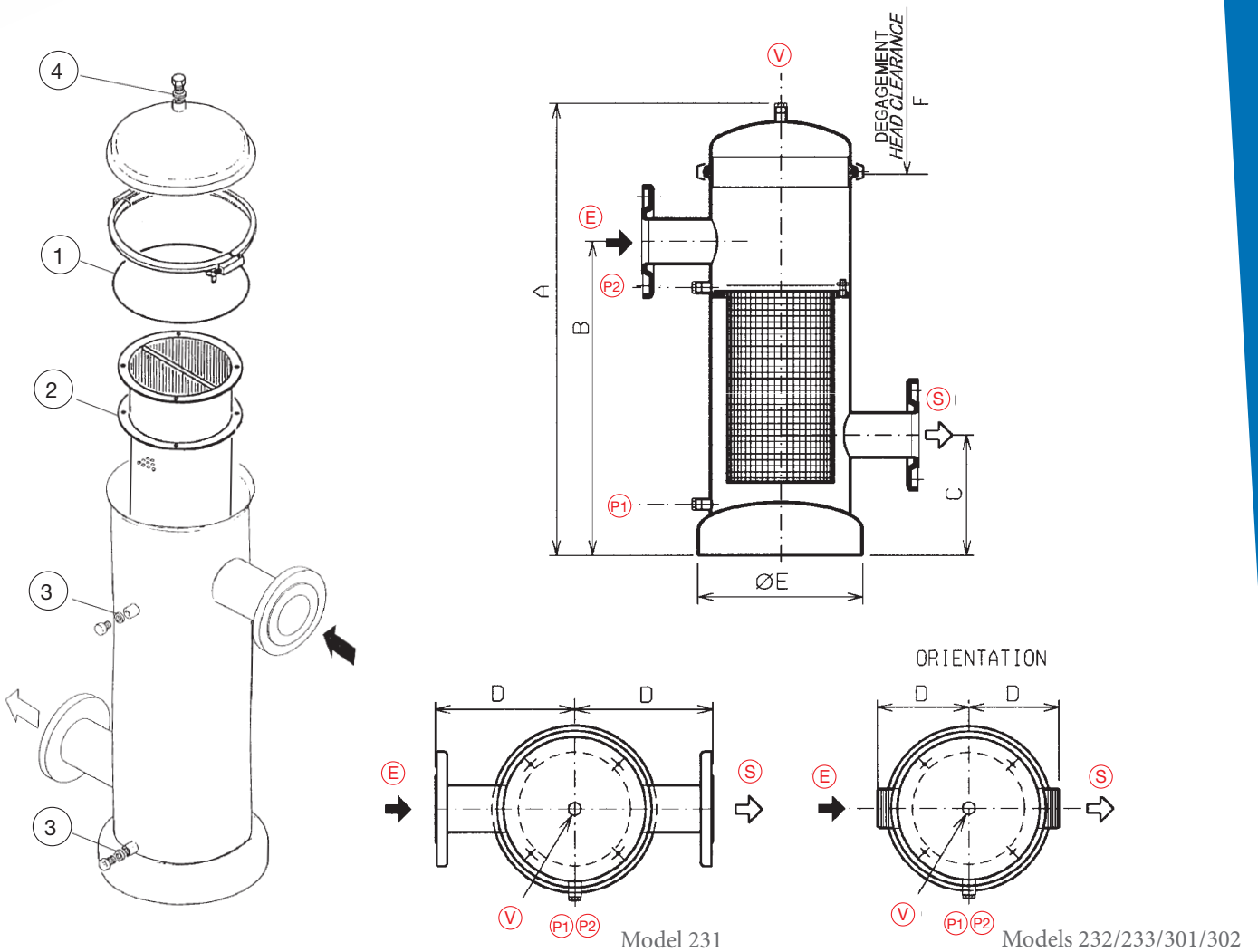
BASKET FILTER VESSEL

POROMESH® 230-300 SERIES

DIMENSIONS AND CONNECTIONS

Model	A (mm)	B (mm)	C (mm)	D (mm)	E (mm)	F (mm)	Weight (kg)	Vol. (L)	Inlet/Outlet (E S)	Vent (V)	Drain (P1 P2)
231	830	600	125	160	273	500	28	27	Ø2" BSP male	Ø3/8" BSP female	Ø3/4" BSP female
232			200	230			30		DN65 PN10*		
233			200	230			31		DN80 PN10*		
301	1035	750	250	250	400	600	45	72	DN100 PN10*		
302	1035						47		DN150 PN10*		

*Pressed loose flanges



SPARE SEALS KIT containing: 2 cover seals ①
+ 1 basket seal ② + 2 drain seals ③ + 1 vent seal ④

Series	Nitrile code	Viton code	EPDM code*
230	3KIN230REC	3KIV230REC	3KIE230WREC
300	3KIN300REC	3KIV300REC	3KIE300WREC

SPARE PARTS

Item	Article code
V-clamp for Series 230	2CS12CDFS4G
V-clamp for Series 300	2CS30CDFS4

* EPDM seals: compliant with the requirements of the FDA, ACS and 1935/2004 EU