

SINGLE-BAG FILTER VESSEL

PO7 SERIES



FILTER TO BE FITTED WITH

- ▶ **One bag - size 07**

GEOMETRY OF THE BAG

- ▶ Standard U bag
- ▶ Wide selection of felt, monofilament or HP felt bags with O-ring (sheet FTQ/1PO/01E/A, pages 22-26)

DESCRIPTION

- ▶ Quick closure by V-clamp
- ▶ Fully drainable through bottom outlet
- ▶ **Material:** 316L stainless steel (wetted parts)
- ▶ **Seal:** Viton (EPDM available as an option. See "Spare seals kit")
- ▶ **Connections:** BSP thread
- ▶ **Finish:** polished
- ▶ **Operating conditions:**

Pressure: 10 bar max. at 60°C

ATEX marking: on request

OPTIONS

Can receive a non-return device or a magnetic system (sheet FTQ/1PO/04E/A, page 29) or a basket on request

APPLICATION : Liquids, group 1 and 2 as per PED 2014/68EU

RECOMMENDED MAXIMUM FLOW RATE IN M³/H

Article code	Bag size	Flow rate
VPOPO7F1.5	07 Ø95 mm L 385mm	10

Recommended flow rate for pressure drop of 0.1 bar
Viscosity equivalent to that of water

- Felt bag, 1 to 100 µm
- Monofilament bag, 5 to 1,000 µm

CODING SYSTEM

VPO Bag filter	PO7 Model	F1.5 Inlet/Outlet
	PO7: size 07 bag	F1.5: 1"1/2 BSP

AS A MANUFACTURER, we can adapt the filters to your particular conditions. Our Design Office can design filters adapted to your usages.

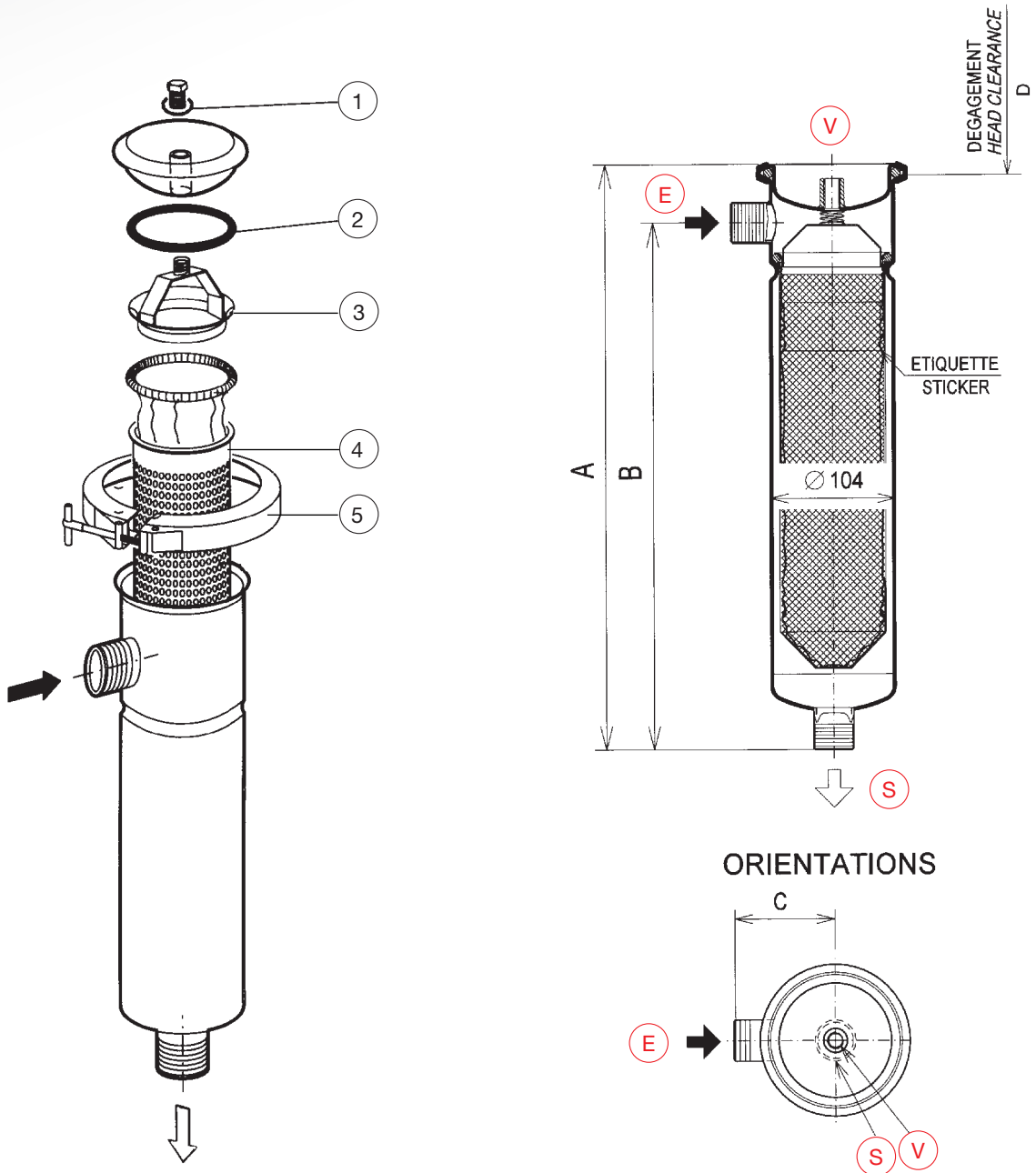


SINGLE-BAG FILTER VESSEL

PO7 SERIES

DIMENSIONS AND CONNECTIONS

Model	A (mm)	B (mm)	C (mm)	D (mm)	Weight (kg)	Vol. (L)	Inlet/Outlet (E S)	Vent (V)
PO7	500	445	87	400	4	3	Ø1"1/2 BSP male	Ø1/4" BSP female



SPARE SEALS KIT containing:	
① 1 vent seal + ② 2 cover seals	
Material	Article code
Viton	3KIVPO3-7REC
EPDM *	3KIEPO3-WREC

* EPDM seals: compliant with the requirements of the FDA, ACS and 1935/2004 EU

SPARE PARTS	
Item	Article code
③ Hold down ring	3DAPO3-7S6
④ Bag support	3SPTPO7S6DFP
⑤ V-clamp	2CSP03-7S4